

HD DECK[®]



TECHNICAL SPECIFICATION

intertek
Total Quality Assured.

For more information please visit our website
www.composite-prime.com



TECHNICAL SPECIFICATION

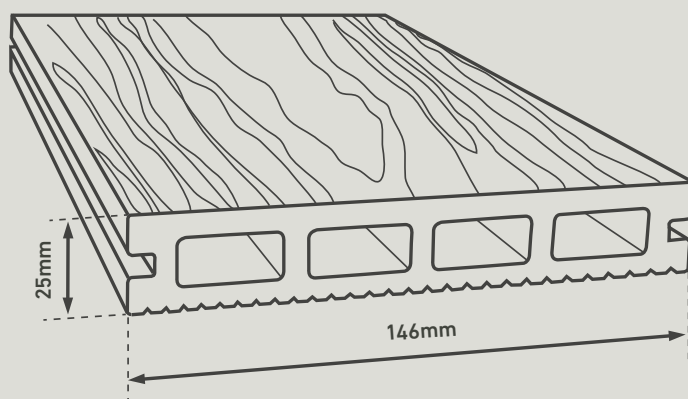


Test	Test Method	Test Description	HD DECK® 3D	Requirements
Slip Resistance	EN 15534-1:2014 Section 6.4.2 CEN/TS 15676:2007 EN 15534-4:2014 Section 4.4	Pendulum Wet Longitudinal	Mean: 56 Min: 55	≥ 36
		Pendulum Wet Horizontal	Mean: 63 Min: 62	
	EN 15534-1:2014 Section 6.4.2 CEN/TS 15676:2007 EN 15534-4:2014 Section 4.4	Pendulum Dry Longitudinal	Mean: 81 Min: 80	
		Pendulum Dry Horizontal	Mean: 86 Min: 85	
	DIN 51130:2014	Slip Resistance Oil-Wet Ramp Test	R10 13.8°	R9 = 6° $\leq X \leq 10^\circ$ R10 = 10° $\leq X \leq 19^\circ$ R11 = 19° $\leq X \leq 27^\circ$ R12 = 27° $\leq X \leq 35^\circ$ R13 = >35°
Flexural Properties (300mm)	EN 15534-1:2014 Annex A EN 15534-4:2014 Section 4.5.2	Bending Strength	28.1 MPa	-F' max: Mean ≥ 3300 N Min ≥ 3000 N
		Modulus of Elasticity	2901 MPa	
		Maximum Load	Mean: 4938 N Min: 4837 N	
		Deflection	Mean: 0.93mm Max.: 1.09mm	
Tensile Properties	EN 15534-1:2014 Section 7.2 ISO 527-2:2012	Tensile Strength	Mean Value: 19 MPa	
Impact Resistance	EN 15534-1:2014 Section 7.1.2.1 EN 15534-4:2014 Section 4.5.1	Falling Mass Impact	Max Crack Length (mm): No Crack Max Residual Indentation (mm): 0.21	Pass
	EN 15534-1:2014 Section 7.1.1 ISO 179-1:2010	Charpy Impact Strength	Mean value: 4.67 kJ/m2	Method of Designation ISO 179-1/1fU
Fire	EN ISO 9239-1:2010	Critical Heat Flux	Fire Behaviour: C fl Smoke Production: s1	The classification has been carried out in accordance with EN 13501-1
	EN ISO 11925-2:2010 Exposure = 15 s	Ignitability		
Water Absorption	EN 15534-1:2014 Section 8.3.3 EN 15534-4:2014 Section 4.5.5	Boiling Test (5 hours)	Water Absorption in Weight: Mean: 1.69% Max: 1.88%	Means ≤ 7% Max. ≤ 9%
	EN 15534-1:2014 Section 8.3.1 EN 15534-4:2014 Section 4.5.5	28 Days Immersion	Mean Swelling: 1.94% in thickness 0.06% in width 0.38% in length	Mean Swelling: ≤ 4% in thickness ≤ 0.8% in width ≤ 0.4% in length
			Max Swelling: 2.68% in thickness 0.12% in width 0.19% in length	Max Swelling: ≤ 5% in thickness ≤ 1.2% in width ≤ 0.6% in length
			Water Absorption: Mean: 3.32% Max: 3.52%	Water Absorption: Means ≤ 7% Max. ≤ 9%
Density	EN 15534-1:2014 Section 6.2 ISO 1183-1:2012 Method A	Density	1.258 g/cm3	

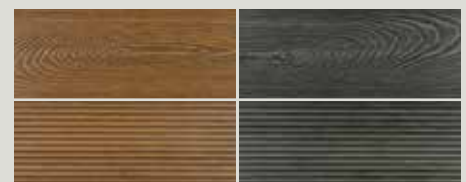
These specifications represent the result of Intertek evaluation of HD Deck® 3D to the requirements of the standards listed above.



Board Dimensions:
25 x 146 x 3600mm

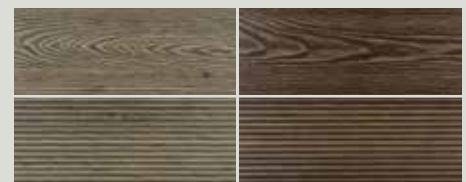


The mark of responsible forestry



Golden Oak

Black Oak



Weathered Oak

Burnished Oak

The boards will lighten in appearance due to initial weathering within the first few months of installation.